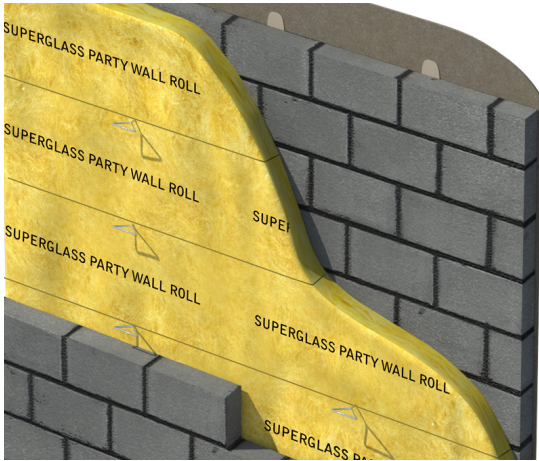


# Party Wall Roll

Typical applications: Masonry party or separating walls



## Description

Superglass Party Wall Roll is a lightweight, non-combustible glass mineral wool insulation roll. The flexible roll is cut at 3x455mm widths to fit between standard wall ties spacings and to allow easy installation and minimum on-site cutting and waste. Manufactured at a minimum density of 18kg/m<sup>3</sup>.

## Application

Superglass Party Wall Roll is designed to provide thermal and acoustic insulation and help provide a zero u-value within masonry party or separating walls as described within Approved Document L1A (England & Wales, Technical Handbook Section 6 (Scotland) and Technical Booklet G (Northern Ireland).

Party Wall Roll may be used as a component in a number of Robust Details Solutions including proprietary systems E-WM-22, E-WM-23 & E-WM-27 (England, Wales & N.Ireland) and V-WM-27 (Scotland). It may also be used in party wall systems which require on-site pre-completion (England, Wales & N.Ireland) or post-completion (Scotland) acoustic testing.

Meets the requirements to deliver a zero U-value for party walls as defined in Building Regulations.



### BRE Green Guide Rating

Party Wall Roll has a generic BRE Green Guide Rating of A+.



### Fire Performance

Party Wall Roll has a fire classification of A1 (the highest possible rating) when tested to BS EN 13501-1 Reaction to Fire.



### Acoustic Insulation

Party Wall Roll provides excellent sound absorption performance.



### Recycled Content

Party Wall Roll is manufactured from up to 84% recycled glass.



### Easy & Quick To Install

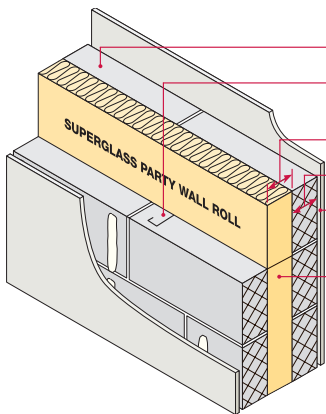
Simple installation process between standard wall tie spacings.



# Party Wall Roll | Characteristics

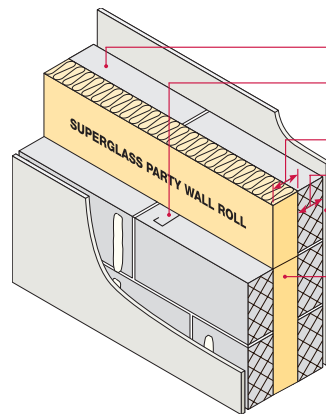
## Recommended solutions **robustdetails**<sup>®</sup>

### E-WM-22



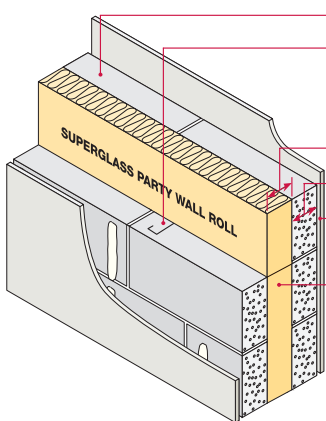
- Block density:** 1350 to 1600 kg/m<sup>3</sup> or Plasmor Aglite Ultima 1050kg/m<sup>3</sup>
- Wall Ties:** Approved Document E 'Tie type A'
- Cavity width:** 100mm (min)
- Block thickness:** 100mm (min), each leaf
- Wall finish:** Gypsum based board mounted on dabs (nominal 10kg/m<sup>2</sup>)
- Insulation:** Superglass Party Wall Roll
- External flanking wall:** Masonry (both leaves) with 50mm (min) cavity - fully filled or partially filled with Superglass Superwall Cavity Slabs or fully filled with Superglass Superwhite 34 Blown Cavity Insulation.

### E-WM-27 & V-WM-27



- Blocks:** 1350 to 1600 kg/m<sup>3</sup>
- Wall Ties:** Approved Document E 'Tie type A'
- Cavity width:** 75mm (min)
- Block thickness:** 100mm (min), each leaf
- Wall finish:** Gypsum based board mounted on dabs (nominal 8kg/m<sup>2</sup>)
- Insulation:** Superglass Party Wall Roll
- External flanking wall:** Masonry (both leaves) with 50mm (min) cavity - fully filled or partially filled with Superglass Superwall Cavity Slabs or fully filled with Superglass Superwhite 34 Blown Cavity Insulation.

### E-WM-23



- Block density:** 600 to 800kg/m<sup>3</sup>
- Wall Ties:** Approved Document E 'Tie type A'. For thin joint, wall ties must be Ancon Building Products Staifix HRT4 or Clan PWT4 at no more than 2.5 ties per square metre
- Cavity width:** 100mm (min)
- Block thickness:** 100mm (min), each leaf
- Wall finish:** Gypsum based board mounted on dabs (nominal 8kg/m<sup>2</sup>)
- Insulation:** Superglass Party Wall Roll
- External flanking wall:** Masonry (both leaves) with 50mm (min) cavity - fully filled or partially filled with Superglass Superwall Cavity Slabs or fully filled with Superglass Superwhite 34 Blown Cavity Insulation.

The requirements of the Robust Details Handbook should be strictly followed.



## Party Wall Roll | Characteristics

Suitable for use in **robustdetails** masonry party walls

Superglass Party Wall Roll can be used in the following Robust Details specifications:

Robust Details Solutions - England, Wales & Northern Ireland				
Robust Detail	Minimum Cavity Width (mm)	Block Type & Density (kg/m <sup>3</sup> )	Parge Coat Required	Wall Finish
E-WM-1	75	Dense Aggregate - 1850 to 2300	No	Wet Plaster
E-WM-2	75	Lightweight Aggregate - 1350 to 1600	No	Wet Plaster
E-WM-3	75	Dense Aggregate - 1850 to 2300	Yes	Render and gypsum-based board on dabs
E-WM-4	75	Lightweight Aggregate - 1350 to 1600	Yes	Render and gypsum-based board on dabs
E-WM-5	75	Besblock 'Star Performer' - 1528	Yes	Render and gypsum-based board on dabs
E-WM-6	75	Aircrete - 600 to 800	Yes	Render and gypsum-based board on dabs
E-WM-10	75	Aircrete - Thin Joint System - 600 to 800	Yes	Render and gypsum-based board on dabs
E-WM-11	100	Lightweight Aggregate - 1350 to 1600	Yes	Render and gypsum-based board on dabs
E-WM-12	75	Plasmor 'Aglite Ultima' - 1050	Yes	Render and gypsum-based board on dabs
E-WM-13	75	Aircrete - Thin Joint Untied System - 600 to 800	Yes	Render and gypsum-based board on dabs
E-WM-16	100	Dense Aggregate - 1850 to 2300	Yes	Render and gypsum-based board on dabs
E-WM-18	100	Dense Aggregate - 1850 to 2300	No	Wet Plaster
E-WM-19	100	Dense or Lightweight Aggregate - 1350 to 1600 or 1850 to 2300	Yes	Render and gypsum-based board on dabs
E-WM-21	100	Lightweight Aggregate - 1350 to 1600	No	Wet Plaster
E-WM-22	100	Lightweight Aggregate - 1350 to 1600 or Plasmor 'Aglite Ultima' - 1050	No	Gypsum-based board on dabs
E-WM-23	100	Aircrete - Standard and Thin Joint - 600 to 800	No	Gypsum-based board on dabs
E-WM-25	100	Porotherm - Thin Joint - n/a	Yes	Ecoparge gypsum-based board on dabs
E-WM-26	100	Besblock 'Star Performer' - 1528	No	Gypsum-based board on dabs
E-WM-27	75	Lightweight Aggregate - 1350 to 1600	No	Gypsum-based board on dabs
E-WM-29	75	Porotherm - Thin Joint - n/a	Yes	Ecoparge gypsum-based board on dabs
E-WM-31	100	H+H Celcon Elements - thin joint - 575	No	Gypsum-based board on dabs

### Northern Ireland

The Department of Finance and Personnel has accepted the Robust Details scheme as the alternative to pre-completion sound testing to demonstrate compliance with Part G (NI) for new dwellings. Builders wishing to register and construct plots in Northern Ireland can use the Part E (E&W) Handbook and documentation.

Robust Details Solutions - Scotland				
Robust Detail	Minimum Cavity Width (mm)	Block Type & Density (kg/m <sup>3</sup> )	Parge Coat Required	Wall Finish
V-WM-11	100	Lightweight Aggregate - 1350 to 1600	Yes	Render and gypsum-based board on dabs
V-WM-19	100	Dense - 1850 to 2300 or Lightweight Aggregate - 1350 to 1600	Yes	Render and gypsum-based board on dabs
V-WM-21	100	Lightweight Aggregate 1350 to 1600	No	Wet Plaster
V-WM-27	75	Lightweight Aggregate - 1350 to 1600	No	Gypsum-based board on dabs

The above tables is to be used as a guide only. Always refer to the Robust Details Handbook.



# Party Wall Roll | Characteristics

Product dimensions and information						
Thickness (mm)	Length (m)	Width (mm)	Pack Area (m <sup>2</sup> )	R-Value (m <sup>2</sup> k/w)	Packs per pallet	Code
75	7.70	3x455	10.51	2.05	24	5873
100	5.75	3x455	7.85	2.75	24	5872
125	4.50	3x455	6.14	3.45	24	5874*
150	3.50	3x455	4.78	4.15	24	5869*

\*Non-Standard Products

## Density

Party Wall Roll is manufactured at a minimum density of 18kg/m<sup>3</sup>.

## Thermal Performance

Party Wall Roll has a declared thermal conductivity of 0.036W/mK..

## Fire Performance

All Superglass products are deemed non-combustible and have a fire classification of A1 (the highest possible rating) when tested to BS EN 13501-1 Reaction to Fire.

## Environment

- Manufactured in accordance with ISO 14001:2015 - Environmental Management Systems (EMS).
- Zero Ozone Depletion Potential (ODP) & zero Global Warming Potential (GWP).
- Generic BRE Green Guide Rating of A+.

## Recycled Content

All Superglass products are manufactured from up to 84% recycled glass which would otherwise go to landfill.

## Standards

Manufactured in accordance with:

- BS EN 13162:2012(+A1:2015) Thermal insulation products for buildings - Factory made mineral wool (MW) products
- BS EN 13172: 2012 Thermal insulation products - Evaluation of conformity.

## Quality

All Superglass products are manufactured in accordance with BS EN ISO 9001:2015 - Quality Management Systems (QMS).

## Durability

All Superglass products are non-hygroscopic, will not rot, degrade or sustain vermin and will not encourage the growth of mould, bacteria or fungi.

## Vapour Resistance

All Superglass products offer negligible vapour resistance allowing vapour to pass freely through the insulation.

## Handling & Storage

All Superglass products are easy to handle, cut and install. The products are supplied compression packed in polythene to provide short term protection only. For long term protection, the product must be stored indoors or under a waterproof covering in order to protect from weather damage. The products should not be left permanently exposed to the elements.

## Certification

- CE Marked to BS EN 13162:2012(+A1:2015).
- Designation Code = MW-13162-T1.
- A copy of the Party Wall Roll Declaration of Performance (DoP) ref: DOP0005 can be downloaded from the Superglass website.

## Associated Products

TF Party Wall Roll

## Building Information Modelling (BIM)

BIM objects for this product can be downloaded from [www.bimstore.co.uk](http://www.bimstore.co.uk) or [www.superglass.co.uk](http://www.superglass.co.uk)



**Superglass Insulation Limited.** Thistle Industrial Estate, Kerse Road, Stirling, Scotland FK7 7QQ

### Technical

Hotline: **0808 1645 134**

Email: [technical@superglass.co.uk](mailto:technical@superglass.co.uk)

### Sales

Tel: **01786 451170**

Email: [sales@superglass.co.uk](mailto:sales@superglass.co.uk)

### Social



[www.facebook.com/superglassinsulationltd](http://www.facebook.com/superglassinsulationltd)



[www.twitter.com/superglassins](http://www.twitter.com/superglassins)



[www.linkedin.com/company/superglass-insulation-ltd](http://www.linkedin.com/company/superglass-insulation-ltd)

All rights are reserved, including those of photomechanical reproduction and storage in electronic media. Commercial use of the processes and work activities presented in this document is not permitted. Extreme caution was observed when putting together the information, texts and illustrations in this document. Nevertheless, errors cannot quite be ruled out. The publisher and editors cannot assume legal responsibility or any liability whatever for incorrect information and the consequences thereof. The publisher and editors will be grateful for improvement suggestions and details of errors pointed out.

